

KOMATSU®

WA1200-6

NET HORSEPOWER
1316 kW **1,765 HP** @ 1800 rpm

OPERATING WEIGHT
216400–220550 kg
477,100–486,250 lb

BUCKET CAPACITY
18.0–35.0 m³ **23.5–45.8 yd³**

WA
1200

W
H
E
E
L
L
O
A
D
E
R



Photo may include optional equipment.

WALK-AROUND

High Productivity & Low Fuel Consumption

- High performance SDA16V160E-2 engine
- Low fuel consumption
- The largest bucket in its class
- Extra dumping clearance and reach
- Traction control
- Hi-cab
- Remote boom positioner
- Selectable traction power

Excellent Operator Environment

- Automatic transmission with Electronically Controlled Modulation Valve (ECMV)
- Advanced Joystick Steering System (AJSS)
- Engine RPM set system with auto decel.
- Variable transmission cut-off system
- Roomy, quiet cab with power windows
- Low vibration & noise
- Pillar-less large cab with ROPS/FOPS Level 2 canopy
- Comfortable operator's seat
- Trainer seat



Harmony with Environment

- Meets EPA Tier 2 emission regulations
- Low fuel consumption

High Reliability & Durability

- Reliable Komatsu designed and manufactured components
- High-rigidity frames
- Low maintenance brake system
- Hydraulic hoses use flat face o-ring seals
- Primer paint is applied with cation electrodeposition process
- Powder coating is the topcoat of exterior sheet metal
- Sealed DT connectors for electrical connections

NET HORSEPOWER
1316 kW 1,765 HP @ 1800 rpm

OPERATING WEIGHT
216400–220550 kg
477,100–486,250 lb

BUCKET CAPACITY
18.0–35.0 m³ 23.5–45.8 yd³



Photos may include optional equipment

Easy Maintenance

- Tire Saver®
- Long oil replacement interval
- Oil sealed loader linkage pins
- Centralized filter layout
- Quick fluid change-out system
- Auto-greasing system
- Equipment Management Monitoring System (EMMS)
- KOMTRAX Plus
- Maintenance accessibility
- Rear access stairs
- Ground level service center

WA1200-6 WHEEL LOADER

HIGH PRODUCTIVITY AND LOW FUEL CONSUMPTION

High Performance SDA16V160E-2 Engine

Economical Komatsu SDA16V160E-2 diesel engine provides ample power to move 20.0 m³ **26.2 yd³** loads. Equipped with an electronic accelerator pedal rpm set for easy operation and an electronic governor for low fuel consumption.

Net power: 1316 kW **1765 HP**

Max torque: 8.15 kNm 831 kgfm **6,010 ft lb**

Low Emission Engine

This engine meets EPA Tier 2 emission regulations without sacrificing power or machine productivity.

The Largest Bucket in Its Class

The WA1200-6 is equipped with the largest bucket in its class at 20.0 m³ **26.2 yd³**. Komatsu's bucket is designed for easy loading with little spillage. This, combined with the highest traction and breakout force available, makes a loader which achieves high bucket fill factors and maximum production.



Boom	Bucket	Dump Clearance	Dump Reach
Standard Boom	20.0 m ³ 26.2 yd³	6305 mm 20'8"	2890 mm 9'6"
High Lift Boom (optional)	18.0 m ³ 23.5 yd³	7065 mm 23'2"	2930 mm 9'7"

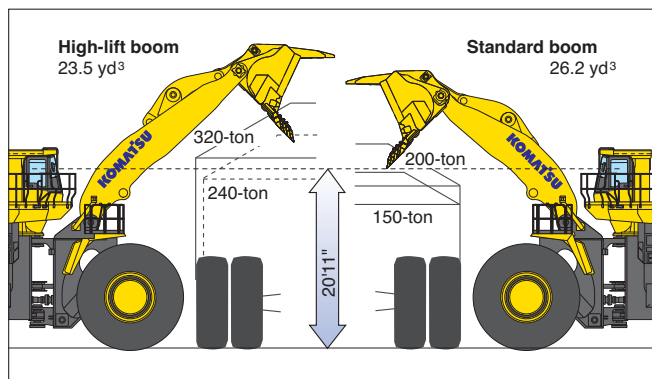




Photos may include optional equipment

Hi-cab

To enhance loading performance when using large buckets with extra dumping clearance and reach, the hi-cab is standard equipment. From the operator vantage point, 6380 mm **20'11"** from the ground, the seated operator has an unobstructed full view of the bucket and the inside of a 240-ton truck body.



Matching with Dump Trucks

Aggressive loading and maximum fill factors lead to exceptional productivity in the toughest mining conditions. The WA1200-6 equipped with a 20.0 m³ **26.2 yd³** bucket can load a 150-ton truck in four passes. Due to its extra dumping clearance and reach it is able to load 200-ton trucks in five passes. The high lift version can load 320-ton plus trucks.

Boom	Truck	150-ton	200-ton	240-ton	320-ton
Standard Boom		4 passes	5 passes	6 passes	—
High Lift Boom (optional)		—	—	7 passes	8 passes

WA1200-6 WHEEL LOADER

High Breakout Force / Traction Force

Komatsu wheel loaders have high-tensile steel Z-bar loader linkages for maximum rigidity and maximum breakout force. Sealed loader linkage pins extend greasing intervals.

Breakout force:

1275 kN 130000 kg **286,600 lb**

20.0 m³ **26.2 yd³** Rock bucket (spade nose with teeth)

Traction force:

992 kN 101200 kg **223,100 lb**

Excellent Stability

The WA1200-6 has the widest tread in its class 4,300 mm **14'1"** and a long 7,100mm **23'4"** wheelbase, for maximum machine stability.

Static tipping load

(with 60/80 R57 tires / bucket 20.0 m³ **26.2 yd³**)

Straight: 121930 kg **268,800 lb**

40° full turn: 107060 kg **236,000 lb**

Remote Boom Positioner

The highest and lowest position of the bucket can be set from the operator's seat to match the height of the truck body. The bucket will stop smoothly at the preset position.

Selectable Traction Power and Travel Speed

- **Maximum traction control:** Traction can be set at any level within 20 - 100% with the "TRACTION CONTROL DIAL" located on the left front of the dash. You can set the maximum traction force according to the condition of the road, material and type of work. This can greatly increase fuel efficiency and extend the service life of tires.

- **Maximum speed control:** With the "VEHICLE SPEED DIAL", you can set the maximum vehicle speed of 1st. and 2nd. at any level from 3km/h **2 mph** to max. This means the operator can adjust the cycle time between the material and the dump truck. As the loading cycle time is shortened, productivity is improved.

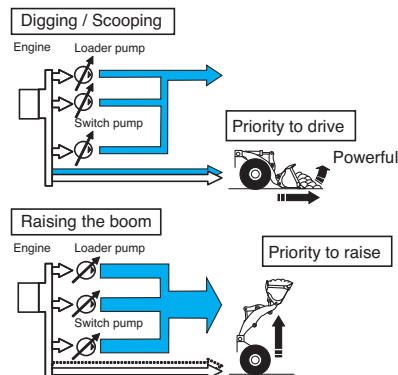


Photo may include optional equipment

Dual-mode Active Working System

This system provides the most efficient hydraulic flow for your operation. The active working switch has two modes: powerful loading or normal loading.

Powerful loading mode



Normal loading mode

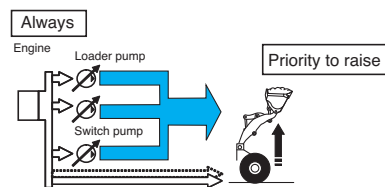
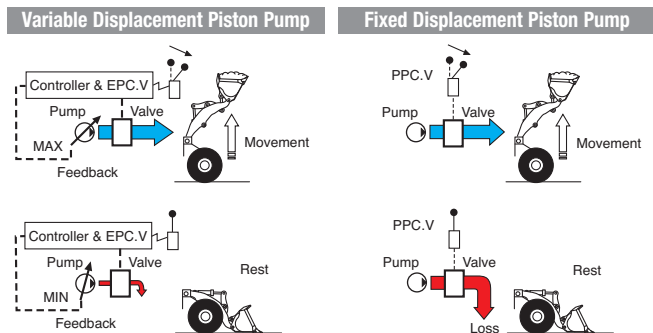




Photo may include optional equipment

Pump Neutral Cut (PNC) Control System for Hydraulic Pump

The variable displacement piston pump combined with the Pump Neutral Cut (PNC) system, uses only the required amount of oil flow for the work. This function reduces the fuel rate by controlling the pump discharge, when not operating the work equipment.



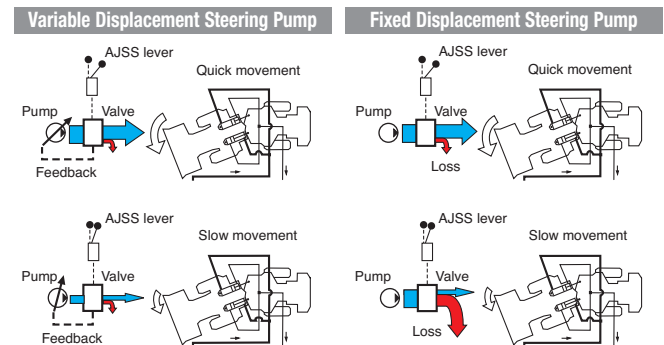
Modulated Clutch System

When approaching the dump truck,

- 1) The modulated clutch is controlled automatically to raise the bucket faster, while reducing forward travel speed. This reduction in travel speed reduces the braking requirement and the time to approach the dump truck is shortened.
- 2) This combination also reduces torque loss and smooths the operation.

Variable Displacement Steering Pump + CLSS

The variable displacement steering pump, combined with the Closed-center Load Sensing System, delivers only hydraulic flow the steering requires. This helps prevent loss of hydraulic pressure and contributes to increased fuel economy.



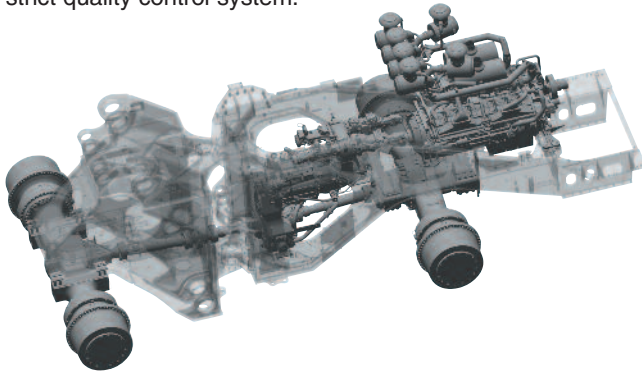
E ↔ P Control of Engine

The engine output function has "2 modes", Economy or Power. They are selected and controlled automatically. P mode is selected only when digging and approaching the dump truck. This "2 mode" engine control contributes to the reduction of the fuel rate and also improves reliability and durability.

HIGH RELIABILITY & DURABILITY

Reliable Komatsu Designed and Manufactured Components

All components within the power train, from bolts to final gearing, are Komatsu-designed. Komatsu loaders are manufactured with an integrated production system under a strict quality control system.



Engine Pre-lube System

Engine durability is achieved by raising the oil pressure before starting. When the key is turned, the pre-lubrication pump sends oil from the pan to the filter. When the set oil pressure is reached, the starter motor engages to start the engine.

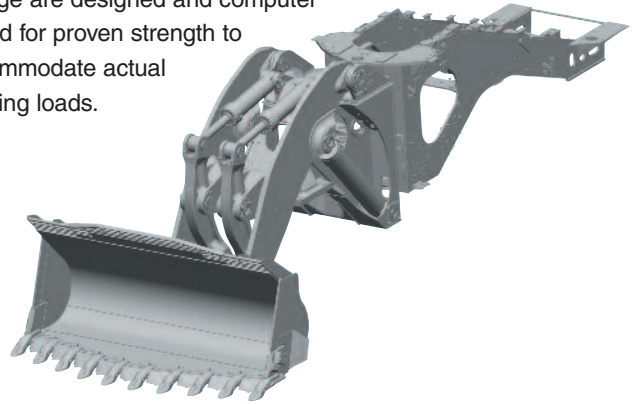
Low Maintenance Brake System

The WA1200-6 uses Komatsu designed sealed wet disc brakes. This proven design, coupled with a brake oil cooling system, provides reliable and durable final drive braking while traveling downhill with full loads and in load and carry operations.



High-rigidity Frames and Loader Linkage

The front, rear frames and the loader linkage have increased torsional rigidity for stress resistance. Frame and loader linkage are designed and computer tested for proven strength to accommodate actual working loads.



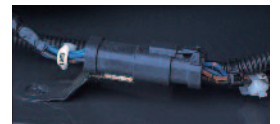
High-rigidity Frame

To increase frame reliability, steel castings have been incorporated at all pivot points to eliminate long weld lengths.



Sealed DT Connectors

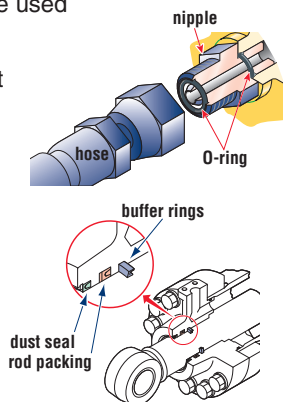
Main harnesses and controller connectors are equipped with sealed DT connectors providing high reliability, dust and corrosion resistance.





Flat Face-to-Face O-Ring Seals

Flat face-to-face o-ring seals are used to securely seal hydraulic hose connections and to help prevent oil leakage. In addition, buffer rings are installed to the head side of the all-hydraulic cylinders to lower the load on the rod seals and maximize reliability.



Sweeper Wing (Large Tire Guard)

To help prevent tire damage, the WA1200-6 includes a large tire guard on both sides of the bucket.



Cation Electrodeposition Primer Paint/ Powder Coating Final Paint

Cation electrodeposition paint is applied as a primer paint and powder coating is applied as topcoat to the exterior sheet metal parts. This process results in a durable paint finish.

OPERATOR ENVIRONMENT

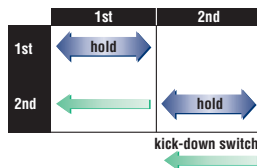
Easy Operation

Automatic Transmission with Electronically Controlled Modulation Valve (ECMV)

Automatic transmission with ECMV automatically selects the proper gear speed based on travel speed, engine speed, and other travel conditions. The ECMV engages the clutch smoothly to help prevent lag and shock when shifting. This system provides efficient machine operation for a comfortable ride.

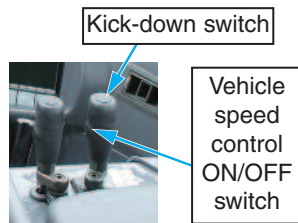
- **Kick-down switch:**

Powerful scooping is available by shifting down to 1st gear, by pressing the kick down switch on the upper boom lever, when the lever is in 2nd gear.



- **Vehicle speed control ON/OFF switch:** By turning the "Vehicle speed control ON/OFF switch" on the boom lever side to ON, the machine travels with vehicle speed limited to the maximum speed

having been set with the "Vehicle speed control dial". When the "Vehicle speed control switch" is on, it is indicated by a light under the "Vehicle speed control dial".

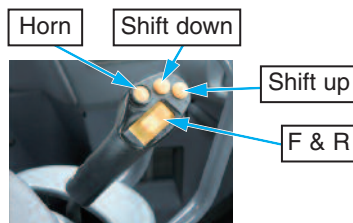


- **Transmission shifting switch:** Manual operation is available by shifting "Transmission shifting switch" to MANUAL.

Advanced Joystick Steering System (AJSS)

AJSS is a feedback steering system which has been incorporated to allow steering, forward and reverse direction to be controlled by wrist and finger.

With the feedback function, the machine steering angle is the same angle as the lever tilt angle.



Engine RPM Set System with Auto Decel.

Engine Low idle RPM can be easily preset using a push button switch. The system provides auto decel for better fuel economy.

Variable Transmission Cut-off System

Transmission cut-off position of the left brake pedal is adjustable by switch operation at operator's seat.

By adjusting the cut-off position according to the type of work, the inching operation is easy and efficient.

- 1) When loading, adjust the cut-off pressure to low. Then the impact of braking is low to help prevent spillage.
- 2) When traveling, adjust the cut-off pressure to high. Load applied to brake will be lighter by using engine brake while decelerating.



1: Trans. cut-off ON/OFF switch 3: Trans. shifting switch
2: Trans. cut-off set switch

Comfortable Operator's Seat

The operator's seat is a reclining/air suspension design with headrest to support the operator comfortably during long operation.



Trainer Seat

A trainer seat is provided for operator instruction. The seat belt is attached to the trainer seat the same way as the operator seat. The trainer seat can be folded up when not in use.



Comfortable Operation

Roomy, Quiet Cab with Power Windows

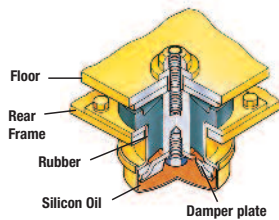
The cab is large, with a comfortable spacious interior and power windows. Other features designed with operators in mind include a lunchbox storage space and cupholder.



Lunchbox storage space

Low Vibration and Noise

The cab rests on Komatsu viscous damping mounts (rubber and silicon oil) to reduce vibration and noise. Noise level at the operator's ear is 73 dB(A).



Overhead Panel

Controls for the AM/FM radio, window wiper and washer, cab lights, and air conditioner are neatly arranged in an overhead console easily within the seated operator's reach.



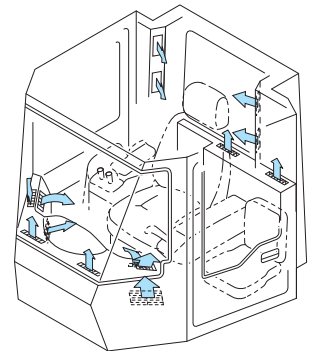
Pillar-less Large Cab with Level 2 ROPS / FOPS Canopy

Wide pillar-less flat glass provides excellent front visibility. The wiper arm covers a large area to provide excellent visibility even on rainy days.



Cab Air Conditioning

Large capacity air conditioning system combined with carefully placed vents provide optimum cool air flow and operator comfort in hot weather. Defroster vents are designed to keep the rear window frost-free during cold weather operation. With a simple touch, the operator can easily select from the five operating modes and four fan speeds on the overhead control panel.



EASY MAINTENANCE

Tire Saver®

The tire saver is effective for extending the service life of tires. It senses tire slip with a speed sensor, then controls the torque converter with the modulated clutch.



Ground Level Fluid Drain

Hydraulic oil, transmission/torque converter oil, engine oil, and engine coolant can all be changed from the ground. A fast-fill fuel system is also included as standard equipment.



Auto-Greasing System

The periodic lubrication points, except for the driveshaft, are greased automatically according to a preset amount and interval.

Long Oil Replacement Interval

Adoption of hybrid elements has extended the element replacement interval.

Lubricated Pins for Loader Links

All of the loader links have lubricated pins, for improved serviceability.

Centralized Filter Layout

Torque converter / transmission oil filters have been centrally located for ease of replacement from the ground.



Equipment Management Monitoring System (EMMS)

Monitor is mounted in front of the operator for easy viewing, allowing the operator to easily check gauges and warning lights.



Exhaust Heat Shields





Features

● **Secondary brakes:**

If the brake oil pressure is too low, the parking brake is automatically engaged.

● **Supplemental steering:**

If the steering pump is disabled, a supplemental steering pump provides hydraulic flow.

● **Manual engine stop switches:**

Manual stop switches, accessible from the ground, are installed in four places, with another inside of the cab.

Maintenance Accessibility

For maintenance operations, main points are equipped with a step and handrail.



Front frame steps



Rear frame steps

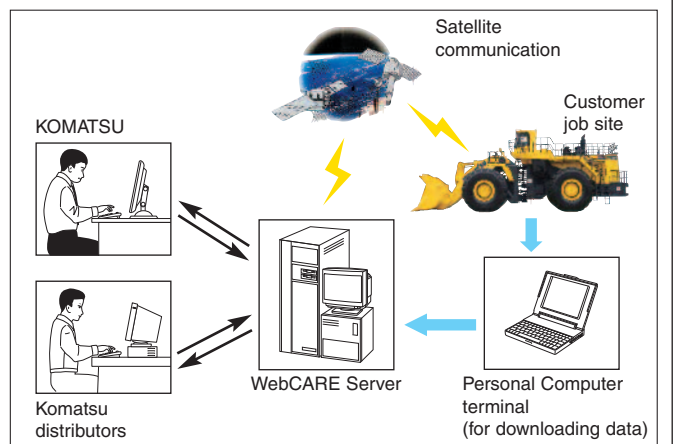
Rear Access Stairs

For boarding and exiting the machine, rear access stairs with a handrail are provided. The step angle has been reduced from 60 to 45 degrees. The stairs are lighted for night boarding. The secondary egress is on the right side of the machine.



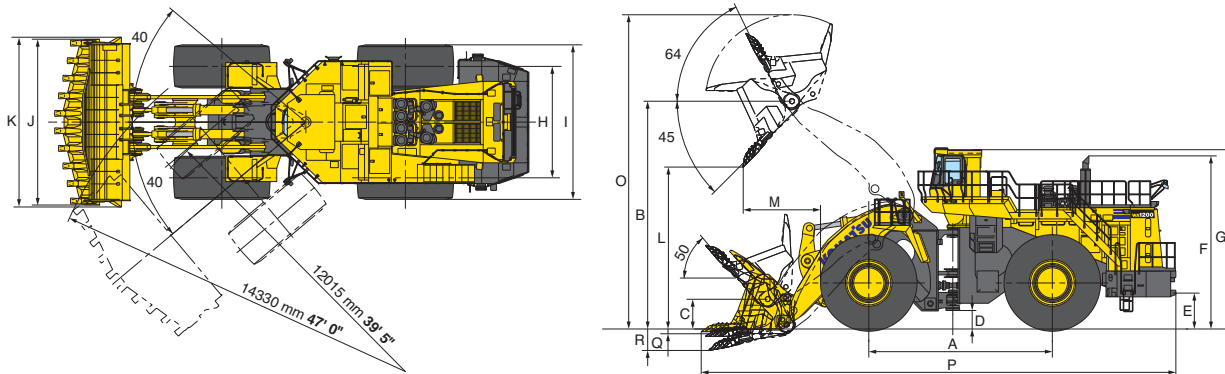
KOMTRAX Plus

KOMTRAX Plus is a management system for large mining equipment, which enables detailed monitoring of the fleet via satellite communications. Komatsu and distributors can analyze "vehicle health", other operating conditions and provide this information to the job site, using the Internet from a remote location, on a near-real time basis. As a result, customers receive timely vehicle maintenance, reduced maintenance expenses, downtime costs and avoid mechanical trouble.





DIMENSIONS



	Standard boom (6200 mm 20'4")				High lift boom (6780 mm 22'2")			
	60/80 R57		58/85-57-84PR		60/80 R57		58/85-57-84PR	
H Tread	4300 mm	14'1"	4300 mm	14'1"	4300 mm	14'1"	4300 mm	14'1"
I Width over tires	5820 mm	19'1"	5720 mm	18'9"	5820 mm	19'1"	5720 mm	18'9"
A Wheelbase	7100 mm	23'4"	7100 mm	23'4"	7100 mm	23'4"	7100 mm	23'4"
B Hinge pin height, max. height	8850 mm	29'0"	8855 mm	29'1"	9540 mm	31'4"	9545 mm	31'2"
C Hinge pin height, carry position	1150 mm	3'9"	1150 mm	3'9"	1350 mm	4'5"	1350 mm	4'5"
D Ground clearance	760 mm	2'6"	765 mm	2'6"	760 mm	2'6"	765 mm	2'6"
E Hitch height	1415 mm	4'8"	1420 mm	4'8"	1415 mm	4'8"	1420 mm	4'8"
F Overall height, top of the stack	6735 mm	22'1"	6740 mm	22'1"	6735 mm	22'1"	6740 mm	22'1"
G Overall height, ROPS cab	6970 mm	22'10"	6975 mm	22'11"	6970 mm	22'10"	6975 mm	22'11"

	Standard boom (6200 mm 20'4")				High lift boom (6780 mm 22'2")			
	60/80 R57		58/85-57-84PR		60/80 R57		58/85-57-84PR	
	Rock Bucket	Coal Bucket	Rock Bucket	Coal Bucket	Rock Bucket	Coal Bucket	Rock Bucket	Coal Bucket
	Spade nose with teeth	Spade nose without teeth	Spade nose with teeth	Spade nose without teeth	Spade nose with teeth	Spade nose without teeth	Spade nose with teeth	Spade nose without teeth
Bucket capacity: heaped	20.0 m ³ 26.2 yd ³	35.0 m ³ 45.8 yd ³	20.0 m ³ 26.2 yd ³	35.0 m ³ 45.8 yd ³	18.0 m ³ 23.5 yd ³	35.0 m ³ 45.8 yd ³	18.0 m ³ 23.5 yd ³	35.0 m ³ 45.8 yd ³
struck	17.2 m ³ 22.5 yd ³	30.2 m ³ 39.5 yd ³	17.2 m ³ 22.5 yd ³	30.2 m ³ 39.5 yd ³	15.0 m ³ 19.6 yd ³	30.2 m ³ 39.5 yd ³	15.0 m ³ 19.6 yd ³	30.2 m ³ 39.5 yd ³
J Bucket width	6400 mm 21'0"	6400 mm 21'0"	6400 mm 21'0"	6400 mm 21'0"	6400 mm 21'0"	6400 mm 21'0"	6400 mm 21'0"	6400 mm 21'0"
K Bucket width with tire protector	6550 mm 21'6"	—	6550 mm 21'6"	—	6550 mm 21'6"	—	6550 mm 21'6"	—
Bucket weight	22780 kg 50,220 lb	24620 kg 54,280 lb	22780 kg 50,220 lb	24620 kg 54,280 lb	22400 kg 49,380 lb	24620 kg 54,280 lb	22400 kg 49,380 lb	24620 kg 54,280 lb
L Dumping clearance, max. height and 45° dump angle	6305 mm 20'8"	6310 mm 20'8"	6310 mm 20'8"	6315 mm 20'9"	7065 mm 23'2"	6990 mm 22'11"	7070 mm 23'2"	6995 mm 22'11"
M Reach at max. height and 45° dump angle	2890 mm 9'6"	3030 mm 9'11"	2890 mm 9'6"	3030 mm 9'11"	2930 mm 9'7"	3135 mm 10'3"	2930 mm 9'7"	3135 mm 10'3"
O Operating height (fully raised)	12205 mm 40'1"	12980 mm 42'7"	12210 mm 40'1"	12985 mm 42'7"	12785 mm 41'11"	13660 mm 44'10"	12790 mm 42'00"	13665 mm 44'10"
P Overall length (bucket ground)	18310 mm 60'1"	18405 mm 60'5"	18305 mm 60'1"	18400 mm 60'4"	18945 mm 62'2"	19140 mm 62'10"	18940 mm 62'2"	19135 mm 62'9"
Loader clearance circle *1	28660 mm 94'0"	28640 mm 94'0"	28660 mm 94'0"	28640 mm 94'0"	29230 mm 95'11"	29300 mm 96'2"	29230 mm 95'11"	29300 mm 96'2"
Q Digging depth: 0°	250 mm 9.8"	145 mm 5.7"	245 mm 9.6"	140 mm 5.5"	250 mm 9.8"	145 mm 5.7"	245 mm 9.6"	140 mm 5.5"
R 10°	785 mm 30.9"	700 mm 27.6"	780 mm 30.7"	695 mm 27.4"	770 mm 30.3"	685 mm 27.0"	765 mm 30.1"	680 mm 26.8"
Static tipping load: straight	121930 kg 268,800 lb	120530 kg 265,730 lb	122530 kg 270,130 lb	121130 kg 267,050 lb	110950 kg 244,580 lb	108850 kg 239,970 lb	111550 kg 245,920 lb	109450 kg 241,300 lb
40° full turn	107060 kg 236,000 lb	105830 kg 233,320 lb	107580 kg 237,180 lb	106350 kg 234,460 lb	97410 kg 214,760 lb	95570 kg 210,700 lb	97940 kg 215,920 lb	96100 kg 211,860 lb
Breakout force	1275 kN 130000 kgf 286,600 lb	1029 kN 105000 kgf 231,500 lb	1275 kN 130000 kgf 286,600 lb	1029 kN 105000 kgf 231,500 lb	1236 kN 126000 kgf 277,780 lb	1000 kN 102000 kgf 224,800 lb	1236 kN 126000 kgf 277,780 lb	1000 kN 102000 kgf 224,800 lb
Operating weight 216400 kg	217800 kg 477,100 lb	217220 kg 480,200 lb	218620 kg 478,900 lb	218300 kg 482,000 lb	219700 kg 481,300 lb	219150 kg 484,400 lb	220550 kg 483,150 lb	220550 kg 486,250 lb

*1 Measured with bucket at carry position, outside corner of bucket

All dimensions, weights, and performance values based on SAE J732c and J742b standards.

Static tipping load and operating weight shown include lubricant, coolant, full fuel tank, ROPS Level 2 canopy, air conditioner, bucket and operator. Machine stability and operating weight are affected by counterweight, or ballast, tire size, and other attachments.

Use either counterweight or ballast, not both. Apply the following weight changes to operating weight and static tipping load.



WEIGHT CHANGES

Tires or attachments	Operating weight		Tipping load straight				Tipping load full turn				Width over tires		Ground clearance		Change in vertical dimensions	
			STD Boom		Hi-lift Boom		STD Boom		Hi-lift Boom							
	kg	lb	kg	lb	kg	lb	kg	lb	kg	lb	mm	ft in	mm	ft in	mm	ft in
60/80 R57	0	0	0	0	0	0	0	0	0	0	5820	19'1"	760	2'6"	0	0
58/85-57-84PR	+820	+1810	+600	+1320	+540	+1190	+520	+1150	+470	+1040	5720	18'9"	765	2'6"	+5	+0.2"



STANDARD EQUIPMENT

- 2-spool valve for boom and bucket controls
- Alternator, 140 A/24 V
- AM/FM radio
- Air conditioner, heater, defroster & pressurizer
- Automatic greasing system
- Automatic transmission F3 / R3
- Axles, full floating
- Back-up alarm
- Back-up light
- Batteries, 160 Ah/12 V x 6
- Battery disconnect switch
- Boom kick-out, automatic and adjustable
- Brakes:
 - Secondary brake
 - Parking: wet, multiple-disc
 - Service: wet, multiple-disc
- Bucket positioner
- Cab with ROPS/FOPS Level 2 canopy
- Converter, 2.5 amps 12 volt
- Counterweight
- Dual-mode active working system
- Electronic display/Multi Monitor
- Manual engine stop switches
- Supplemental steering (SAE)
- Engine, Komatsu SDA16V160E-2 diesel
- Engine pre-lube system
- EPC fingertip control levers with automatic leveler and positioner
- Fenders, front and left rear
- Fire extinguisher
- Floor mat
- Fog lamps
- Hard water area arrangement (corrosion resister)
- Horn, electric
- KOMTRAX Plus
- Lights
 - Backup light
 - Head lights (4 front)
 - Stop and tail
 - Turn signal with hazard switch (2 front, 2 rear)
 - Working lights (6 front, 8 rear)
 - Access stairs and service area light
- Load meter
- Power train guard
- Power windows
- Radiator core protective grid
- Rear access stairs
- Rearview mirror and rear underview mirror mounted to radiator guard
- Room mirror
- Seat belt, 76 mm 3" with retractor
- Seat, air suspension with reclining
- Service center
- Starting motor, 9.0 kW/24 V x 2
- Steering, full hydraulic power (joystick steering control)
- Sun visor
- Tinted glass
- Tire Saver® (modulation clutch controlled)
- Trainer seat
- Vandalism protection kit
- Water separator
- Wiggins fast fuel fill
- Wiggins fast oil fill
- Window washer, front and rear
- Wipers, front and rear, front intermittent



OPTIONAL EQUIPMENT

- Boom
 - 6200 mm 20'4" boom
 - 6780 mm 22'2" boom
- Buckets
 - 18.0 m³ 23.5 yd³ spade nose rock
 - 20.0 m³ 26.2 yd³ spade nose rock
 - 35.0 m³ 45.8 yd³ coal
- Front fender handrails
- Hensley teeth
- LED turn signal
- Rims
 - 47.00-57/5.0
 - 47.00-57/6.0
- Yellow rotating lamp

AESS815-00

©2011 Komatsu America Corp.

Printed in USA

AD02(1.5M)OSP

02/11 (EV-4)

KOMATSU®