

KOMATSU

PC2000-8 Backhoe

PC2000-8 Loading Shovel

ENGINE POWER
728 kW / 976 HP @ 1.800 rpm

OPERATING WEIGHT
Backhoe: 200.000 - 204.120 kg
Loading shovel: 195.000 kg

BUCKET CAPACITY
Backhoe: 12,0 m³
Loading shovel: 11,0 m³

PC
2000

HYDRAULIC EXCAVATOR



PC2000-8

WALK-AROUND

Productivity and economy

- **Fuel efficient machine achieved by total power management and advanced hydraulic system**
 - Hydraulic power loss reduced with advanced hydraulic system
 - On-demand fan speed and engine output control system
 - Equipped with electronically controlled variable speed fans
- **Powerful and economical engine Komatsu SAA12V140E-3 with an output of 728 kW (976 HP) controlled by efficient power management system**
 - Auto-deceleration and auto-idling system
 - Two work modes; Power and Economy

Ecology

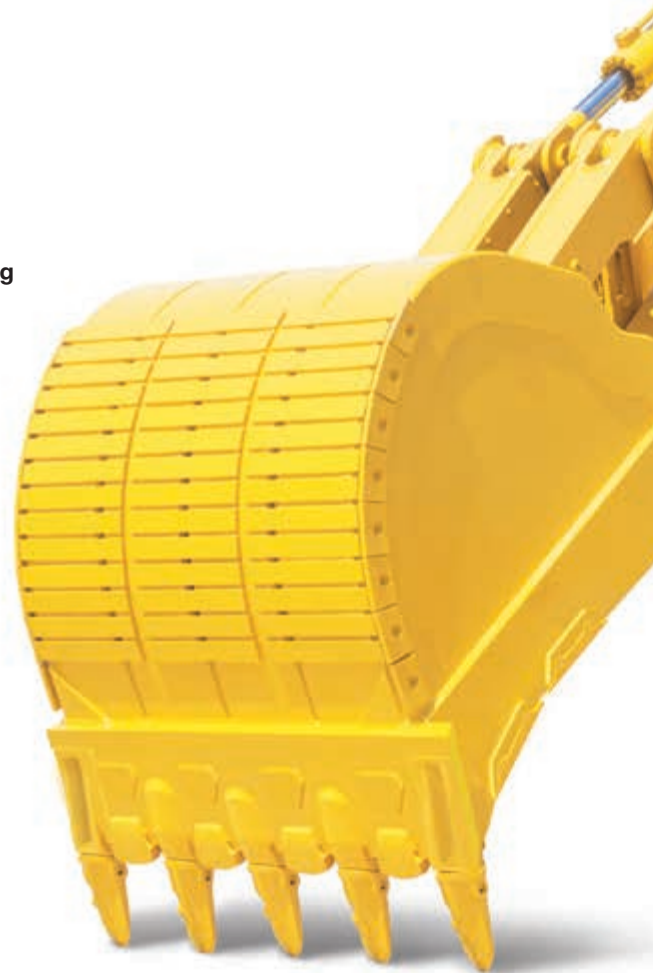
- **EPA Tier 2 emission certified Komatsu engine**
- **New technology produces remarkably low environmental dynamic noise**
 - Power module packaging and noise absorbing blades trap noise inside
 - 3D hybrid fan minimizes air turbulence noise

See pages 4, 5

Easy repair and maintenance

- **Low R&M cost sustained by simplified and reliable system with long service life**
 - Simplified and durable structure
 - Single engine and PTO drive two Komatsu HPV375+375 pumps
 - Simplified travel unit with single motor (each side)
 - Reinforced track components
 - Long life oil and filters
 - Extended life of rubber components achieved by lowering hydraulic oil temperature
- **Power module makes installation and removal of components easier, and reduces overhaul hours and cost**
- **Service-friendly design**
 - Maintenance deck surrounding the power module
 - Drain ports accessible from the ground level
 - Concentration of filters
 - Large fuel tank enables 24 hours continuous machine operation
 - Auto-greasing system including bucket pins with 200 liter grease tank
- **KOMTRAX™ Plus monitors the machine condition and minimizes machine down time**

See pages 6, 7, 8 and 9



ENGINE POWER

728 kW / 976 HP @ 1.800 rpm

OPERATING WEIGHT

Backhoe:

200.000 - 204.120 kg

Loading shovel:

195.000 kg

Operator comfort

- **Newly designed mining shovel cab provides comfortable operation**
 - Excellent operational visibility with extended front windshield and large twin wiper
 - Extremely low noise and vibration
 - Dynamic in-cab noise reduced to the same level as passenger cars
 - Rugged OPG top guard integrated into the cab
 - Easy-to-see and easy-to-use 7" TFT-LCD large monitor
 - Comfortable air-suspension seat
 - Automatic air conditioner
 - Highly pressurized cab
- **Bulkhead between pump room and engine**
- **Emergency stop devices**
- **Interconnected horn and flashing light**

See pages 10, 11, 12 and 13



Photo may include optional equipment.

PRODUCTIVITY, ECONOMY & ECOLOGY

In complete pursuit of total cost reduction and eco-friendliness Evolutionary Komatsu technologies

Komatsu technology

Komatsu develops and produces all major components, such as engines, electronics and hydraulic components, in house. With this “Komatsu Technology” and adding customer feedback, Komatsu is achieving great advancements in technology. To achieve both high levels of productivity and economical performance, Komatsu has developed the main components with a total control system. The result is a new generation of high performance and economical excavators.



Powerful and fuel efficient machine due to total power management

PC2000-8 is equipped with the new Komatsu SAA12V140E engine that features clean, fuel efficient and powerful performance. Power losses in hydraulic system, cooling fan and PTO are reduced. Total Power Management using On-demand Power Control System succeeds in drastically reducing the fuel consumption per hour. The machine has enhanced functions that contribute to energy-saving operation including adjustable ‘E mode’ and ‘Eco-gauge’. PC2000-8 is a new generation clean and economical machine.



ON-DEMAND POWER OPERATION SYSTEM

On-demand fan speed and engine output control system
Controls the rotational speed of the fan according to the hydraulic oil and coolant temperature, and varies the engine output depending on the fan speed.

On-demand power control system
Controls pump absorbing horsepower and engine output automatically according to the job.

All-out power delivery system
Outputs all-out engine power when the heavy lift mode and travel is selected.

High power Komatsu engine: 728 kW (976 HP)

Equipped with the high efficiency turbo-charger with large air-to-air aftercooler, the engine delivers high output of 728 kW (976 HP). The ample engine power enables an increase in work efficiency. The clean engine is EPA Tier 2 emission certified.



Heavy Lift mode

Turning the heavy lift mode switch on activates the all-out power delivery system to increase the lifting force of the boom. This mode is beneficial when handling rock and during heavy lifting applications.

Selectable working modes

Two established work modes are further improved. You can select Power or Economy modes using a one-touch operation on the monitor panel depending on workloads.

Two E mode settings available, enabling the operator to select optimum mode that delivers the best combination of production and fuel efficiency considering working conditions.



Working mode selection switch

Advanced environmentally friendly features: Eco-gauge

The Eco-gauge is provided on the right side of the monitor screen for energy saving operation. The gauge informs the operator of cumulative achievement to a predetermined fuel consumption target. By keeping the gauge indication within the green range, the operator can perform fuel-efficient operation to meet the target value.



Eco-gauge

Idling caution

To prevent unnecessary fuel consumption, an idling caution is displayed on the monitor when the engine idles for 5 minutes or more.

Auto deceleration and auto idling system

The machine is equipped with the auto deceleration system (1.400 rpm), reducing operating noise as well as fuel consumption. The auto idling system enables the engine idling speed to be set at a lower speed.

Power module packaging for ultra low-noise operation

Noise sources such as the engine, cooling fan, and hydraulic pumps are packaged in the machinery house. Large sound absorbing blades attached on the air intake and exhaust outlet block noise transmission. Combined with the three dimensions hybrid cooling fan, the machine realizes environmentally-friendly operation with amazingly low noise.



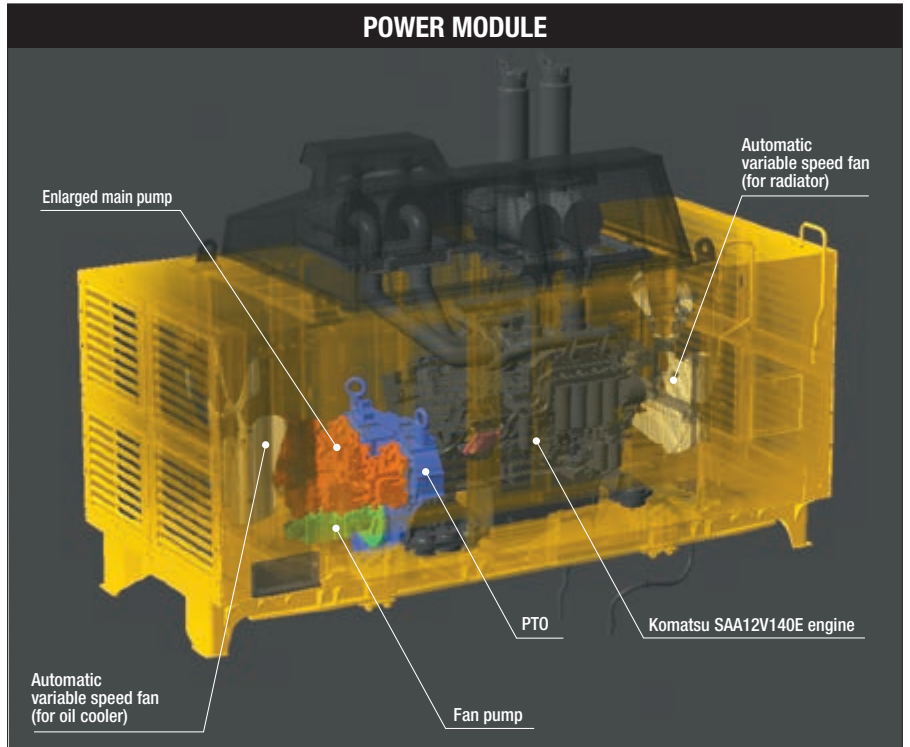
EASY REPAIR & MAINTENANCE

Designed and built for total cost reduction The evolution of reliability and durability

Reduced inspection/maintenance and overhaul man-hours achieves total cost reduction

Power module packaging for easy installation and removal of components

Engine, radiator, oil cooler, hydraulic pumps and PTO are packaged within the Power module. This design facilitates installation and removal of components, contributing to the reduction of maintenance transportation and overhaul hours.



**Repair & maintenance cost:
Drastically reduced compared with current model**

Simple construction and enlarged components reduce the number of parts

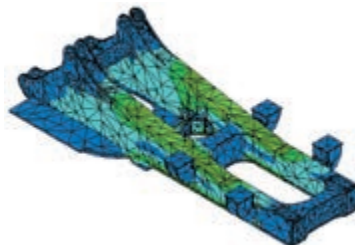
Use of a single-engine, enlarged hydraulic pumps and simplified hydraulic circuit enables reduced hours required for checking and maintenance. Moreover, significant reduction of number of parts contributes to reduction of overhaul man-hours, resulting in total cost reduction.

High cooling efficiency machine design

Increased oil cooler capacity lowers the heat balance temperature of hydraulic oil to realize a cooler operating machine. Heat-resistant rubber seals are used in hydraulic pumps and cylinders to significantly increase component durability. These improvements dramatically extend the service life of the hydraulic system.

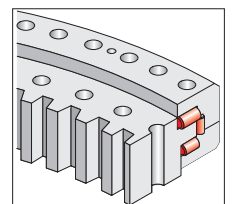
Strengthened frame structure

Revolving frame, center frame and crawler frame are strengthened completely. The frames endure heavy-duty work and exhibit excellent durability.



Durable swing circle with triple-roller bearing

Large capacity triple-roller bearing is used for the swing circle. The swing circle endures heavy-duty excavating and loading work, and exhibits excellent durability.



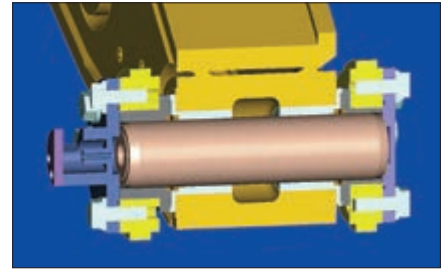
Sturdy guard and large track link

Travel motors are shielded by sturdy guards. They prevent the motors from being damaged by the thrust of rocks. Enlarged track rollers, in combination with the largest size track links, provide excellent durability.



**Arm rock protector guards the arm against impact**

Arm rock protector is equipped as standard. The protector guards the arm greasing piping against impact.

**Wear-resistant float pin**

Boom top pin and arm top pin are floating type. Since the pin can freely rotate, it receives less friction load and exhibits excellent reliability and durability.

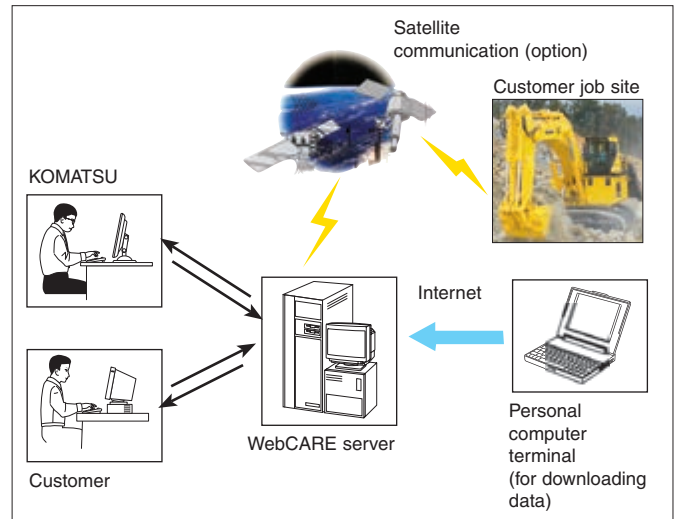


EASY REPAIR & MAINTENANCE

Sustained high level performance An achievement in the evolution of maintenance

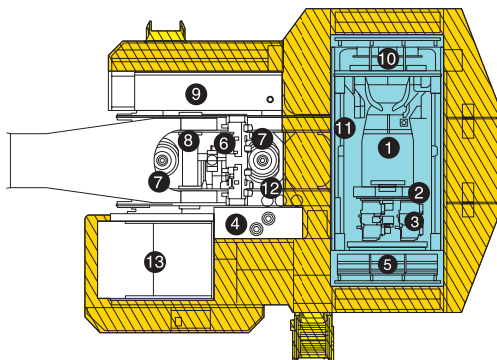
KOMTRAX™ Plus (Vehicle Health Monitoring System)

The KOMTRAX™ Plus controller monitors the health conditions of major components and enables analysis of the machine and its operations. The KOMTRAX™ Plus controller monitors and stores all data received from the engine and transmission controller and various additional sensors on the major components. This way, it's possible to record the evolution of the machine's health condition. This data can be downloaded via a portable computer or via satellite communication (option). In both cases, customers and Komatsu specialists can analyse this downloaded data and follow up trends in the machine's condition. When using the optional satellite communications, the Komatsu specialist can inform you whenever an abnormal condition occurs. This way, repair and maintenance costs can be optimised, and maximum machine availability can be maintained.



Advanced layout for easy checking and maintenance

Catwalk surrounding the power module and center walkway provides easy access to the inspection and maintenance points.



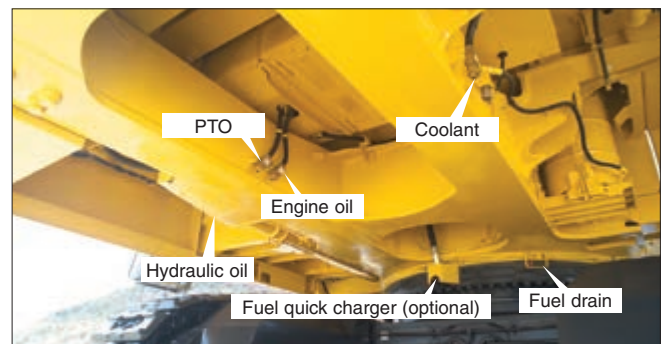
- | | |
|------------------|------------------------|
| ■ Access walkway | ■ Power module |
| ① Engine | ⑧ Swivel joint |
| ② PTO | ⑨ Fuel tank |
| ③ Hydraulic pump | ⑩ Radiator |
| ④ Hydraulic tank | ⑪ Air cleaner |
| ⑤ Oil cooler | ⑫ Hydraulic oil filter |
| ⑥ Control valve | ⑬ Cab |
| ⑦ Swing motor | |

Centralized filters

Centralized filters contribute to easy maintenance.

Remote drain piping enables drainage from the ground

Remote drain piping provided to drain hydraulic oil, PTO oil, engine oil and coolant enable performing drainage work from the ground.



Ground refueling system (optional)

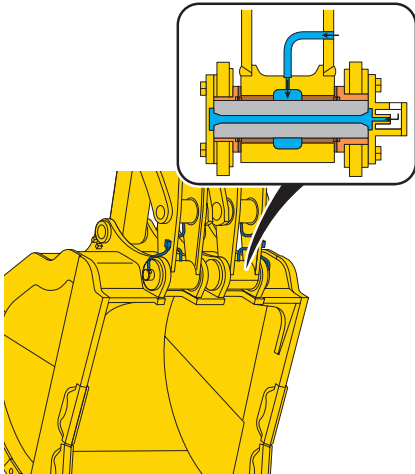
Optional remote refueling hose enables ground level refueling.

Large fuel tank

3.400 ltr large fuel tank enables continuous operation for 24 hours.

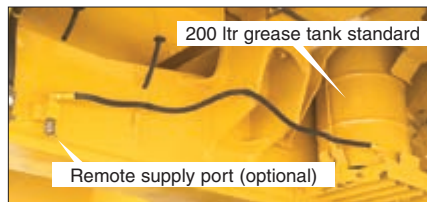
Automatic greasing system

Greasing work equipment and bucket is fully automated. Since the system carries out automatic greasing at regular time intervals, greasing is hassle-free.



Large capacity grease tank and easy-to-supply refill piping (optional)

The machine is equipped with 200 ltr large capacity grease tank enough to perform 24 hours operation. An optional remote refill part enables grease supply to the tank from the ground.



Dust indicator with five-step indication

Informs of air cleaner clogging in five steps to warn of filter condition.



Easy cleaning of radiator

The hydraulically driven fan can be reversed to facilitate cleaning of the cooling unit. In addition, this feature contributes to reducing warm-up time in low temperatures.

Fuel pre-filter (with water separator)

Removes water and contaminants from fuel to enhance the fuel system reliability.

Reduced maintenance costs

Hydraulic oil filter replacement is extended from 500 to 1000 hours.

Fuel filter replacement interval is extended from 500 to 1000 hours.



Hydraulic filter (Eco-white element)

Monitor function

Controller monitors engine oil level, coolant temperature, battery charge and air clogging, etc. If controller senses any abnormality, it is displayed on the LCD.

Trouble data memory function

Monitor stores abnormalities for effective troubleshooting.



Maintenance function

Monitor indicates replacement time of oil and filters on LCD when the replacement interval is reached.



COMFORT / WORKING ENVIRONMENT

Operator first concept in every corner of the machine An achievement in the evolution of operator performance

Excellent operational visibility

Downward visibility is drastically improved by extending the front windshield. This facilitates the operator view of machine footing. New interior arrangement eliminates blind spots in work equipment side and provides clear and wide range surrounding visibility in combination with wide glass windows.



New operator cab specially designed for mining

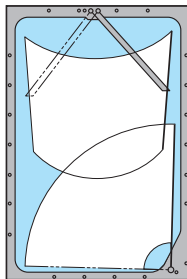
New operator cab provides a comfortable working environment. Sturdy cab of solid construction, with top guard conforms to OPG level 2.

OPG top guard level 2 integrated into the cab



Large twin wiper

Large twin wiper covers windshield area and provides excellent front visibility even in the rain.



Step light with timer

Step light with timer provides light for 90 seconds to allow the operator to get off the machine.



Hammer for emergency escape and fire extinguisher

To prepare for emergencies, a hammer for emergency escape is provided at the front of the cab and a fire extinguisher at the rear.

Dual rearview mirror

Mirrors offer high visibility with fewer blind spots in left rear field of vision.



Emergency stop device & fuel cut-off lever

Emergency stop device is provided at two points on the power module as standard equipment. Engine start lock function of the device for use during maintenance work. In addition, fuel cut-off lever provided on the revolving frame allows stopping the engine from the ground.



Emergency stop switch (with engine start lock function)



Fuel cut-off lever

Bulkhead wall (fire wall)

Prevents oil from splashing into the engine room even if hydraulic hoses are broken.



Interconnected horn and flashing light

Allows the operator to give visual and audible notice to the dump truck operator.



High Intensity Discharge (HID) working light (optional)

HID working light with double the luminance of conventional halogen lamp is available for night work.



Rearview monitoring system (optional)

Up to three video cameras can be installed to monitor the rear of the machine (full-screen or 2-split-screen display selectable).



COMFORT / WORKING ENVIRONMENT

**Equipment designed to minimize operator fatigue
An achievement in the evolution of comfort performance**



Spacious and comfortable new cab design

Large cab designed for exclusive use in mining shovels provides enough space to relax during operation. The cab with improved air tightness is pressurized to prevent dust from entering. Combined with a large capacity twin air conditioner that cools and heats the cab effectively, ample and comfortable operating environment is realized.

Increased cab volume

The cab volume was increased by 30% compared with PC1800-6

Comfortable air suspension seat

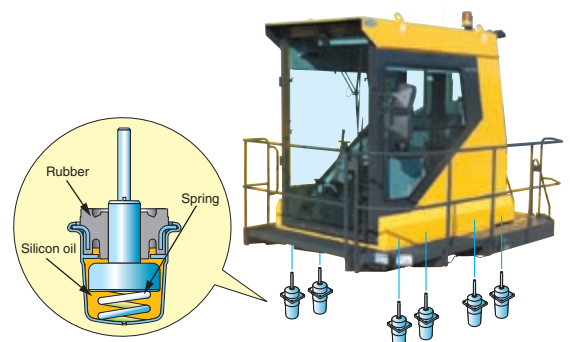
The seat with air suspension minimizes and softens vibrations transmitted to the operator. Depending on the operator's weight and physique, the cushion can be adjusted and the seat can slide fore/aft and vertically.

Comfortable operating environment with same level of low noise as passenger cars

Integral structure of cab and new damper mounts, in combination with power module packaging, attain outstanding low noise and vibration in the cab equivalent to passenger cars.

Noise level: 64,5 dB(A)

In the cab on max. engine speed under no-load condition



Easy-to-see and easy-to-use large 7" TFT-LCD monitor

The machine is equipped with a large 7-inch TFT-LCD monitor for secure and smooth operation. Panel visibility is significantly improved by the use of the high-resolution TFT-LCD panel. The panel switch group is easy-to-use, enabling switch over of engine output and increase of lifting force during operation. Furthermore, use of function key enables the operator to perform multi-functions with ease. Character display can be selected among nine languages.



Indicators

- 1 Wiper (ON: Continuous/INT: Intermittent)
- 2 Swing holding brake
- 3 Engine preheating
- 4 Automatic greasing
- 5 Engine stop caution
- 6 Digital clock (switchable to service meter display)
- 7 Auto deceleration
- 8 Working mode
- 9 Heavy lift mode
- 10 Coolant temperature gauge (switchable to PTO temperature gauge display)
- 11 Coolant temperature gauge (switchable to PTO temperature display)
- 12 Hydraulic oil temperature gauge (switchable to engine oil temperature gauge display)
- 13 Hydraulic oil temperature gauge (switchable to engine oil temperature display)
- 14 Fuel level gauge (switchable to engine oil temperature gauge display)
- 15 Fuel level gauge (switchable to engine oil temperature display)
- 16 Truck loading counter
- 17 Eco-gauge
- 18 Function switch menu
- 19 Function switch display

Basic operation switches

- 1 Auto deceleration
- 2 Working mode selection
- 3 Heavy lift mode selection
- 4 Buzzer cancel
- 5 Wiper
- 6 Window washer



Standard equipment



Air conditioner control panel



Trainer's seat diagonally behind the operator



Sun shield



Defroster



Floor mat



Room light



Radio/bottle holder/cigarette lighter



Ashtray



Utility space/lunchbox

SPECIFICATIONS



ENGINE

Model Komatsu SAA12V140E-3
 Type 4-cycle, water-cooled, direct injection
 Aspiration Turbocharged, aftercooled
 Number of cylinders 12
 Bore 140 mm
 Stroke 165 mm
 Displacement 30,48 ltr
 Governor All-speed, electronic
 Engine power
 at rated engine speed 1.800 rpm
 ISO 14396 728 kW / 976 HP
 ISO 9249 (net engine power) 713 kW / 956 HP
 Fan drive type Hydraulic



HYDRAULIC SYSTEM

Type Open-center load sensing system
 Number of selectable working modes 2
 Main pump:
 Type Variable displacement piston pumps
 Pumps for Boom, arm, bucket, swing and travel circuits
 Maximum flow:
 For attachment, swing and travel 2.317 ltr/min
 For fan drive 324 ltr/min
 Hydraulic motors:
 Travel 2 × axial piston motors with parking brake
 Swing 2 × axial piston motors with swing holding brake
 Fan 2 × axial piston motors
 Relief valve setting:
 Attachment circuits
 Backhoe 29,4 MPa (300 kgf/cm²)
 Loading shovel 29,4 MPa (300 kgf/cm²)
 Travel circuit 32,9 MPa (335 kgf/cm²)
 Swing circuit 29,4 MPa (300 kgf/cm²)
 Pilot circuit 2,9 MPa (30 kgf/cm²)
 Hydraulic cylinders (Number of cylinders—bore × stroke):
 Backhoe
 Boom 2 – 300 mm × 2.647 mm
 Arm 2 – 250 mm × 2.138 mm
 Bucket 2 – 200 mm × 2.170 mm
 Loading shovel
 Boom 2 – 280 mm × 1.930 mm
 Arm 2 – 200 mm × 2.170 mm
 Bucket 2 – 225 mm × 2.050 mm
 Bottom dump 2 – 180 mm × 600 mm



SWING SYSTEM

Swing gear 2 x Planetary gear
 Swing circle lubrication Grease
 Swing holding brakes Mechanical disk brakes
 Swing speed 4,8 rpm



DRIVE SYSTEM

Travel gear Planetary gear
 Gradeability 65%
 Maximum travel speed 2,7 km/h
 Parking brakes Mechanical disk brakes



UNDERCARRIAGE

Track adjuster Grease
 No. of shoes 49 each side
 No. of carrier rollers 3 each side
 No. of track rollers 8 each side



COOLANT AND LUBRICANT CAPACITY (REFILLING)

Fuel tank 3.400 ltr
 Radiator 180 ltr
 Engine 120 ltr
 Travel gear, each side 85 ltr
 Swing drives 30 × 2 ltr
 Hydraulic tank 1.300 ltr
 PTO 30 ltr



ENVIRONMENT

Vibration levels (EN 12096:1997)
 Hand/arm ≤ 2,5 m/s² (uncertainty K = 0,22 m/s²)
 Body ≤ 0,5 m/s² (uncertainty K = 0,17 m/s²)
 Contains fluorinated greenhouse gas HFC-134a (GWP 1430).
 Quantity of gas 1,9 kg, CO₂ equivalent 2,72 t



OPERATING WEIGHT (APPROX.)

BACKHOE
 Operating weight, including 8.700 mm boom, 3.900 mm arm, SAE heaped 12,0 m³ general purpose backhoe bucket, operator, lubricant, coolant, full fuel tank, and the standard equipment.

PC2000-8		
Shoes	Operating weight	Ground pressure
Double grouser 810 mm	200.000 kg	190 kPa 1,94 kgf/cm ²
Triple grouser 1.010 mm	204.120 kg	156 kPa 1,59 kgf/cm ²

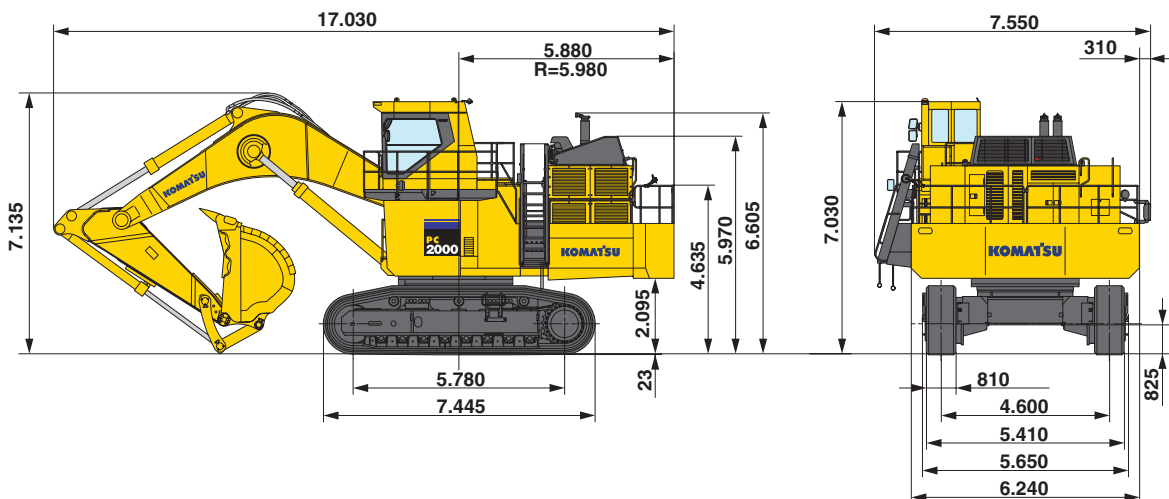
LOADING SHOVEL
 Operating weight, including 5.950 mm boom, 4.450 mm arm, 11,0 m³ heaped bucket, operator, lubricants, coolant, full fuel tank and standard equipment.

PC2000-8		
Shoes	Operating weight	Ground pressure
Double grouser 810 mm	195.000 kg	186 kPa 1,90 kgf/cm ²

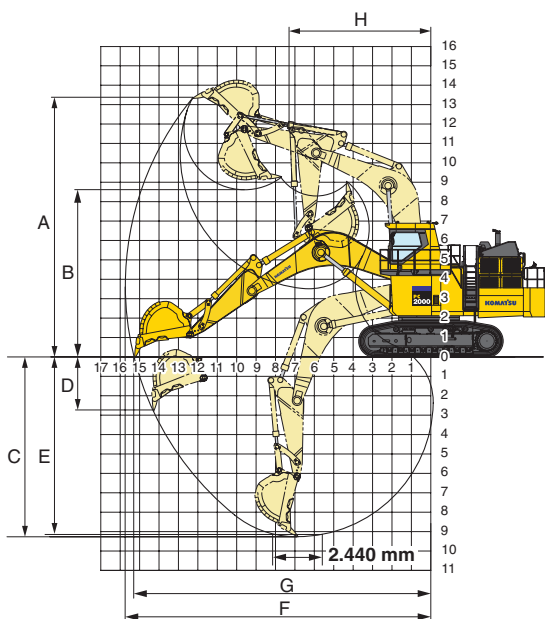


BACKHOE DIMENSIONS

Unit: mm



BACKHOE WORKING RANGE



Boom length	8,7 m
Arm length	3,9 m
A Max. digging height	13.410 mm
B Max. dumping height	8.650 mm
C Max. digging depth	9.235 mm
D Max. vertical wall digging depth	2.710 mm
E Max. digging depth of cut for 2.440 mm level	9.115 mm
F Max. digging reach	15.780 mm
G Max. digging reach at ground level	15.305 mm
H Min. swing radius	7.500 mm
Bucket digging force (SAE)	626 kN (63,8 tonnes)
Arm crowd force (SAE)	574 kN (58,5 tonnes)
Bucket digging force (ISO)	697 kN (71,1 tonnes)
Arm crowd force (ISO)	586 kN (59,8 tonnes)



BACKHOE BUCKET

MAX. BUCKET CAPACITY AND WEIGHT	
Arm length	8,7 m boom / 3,9 m arm
Material weight up to 1,2 t/m ³	15,54 m ³ 15.150 kg
Material weight up to 1,5 t/m ³	13,40 m ³ 13.675 kg
Material weight up to 1,8 t/m ³	11,78 m ³ 12.575 kg

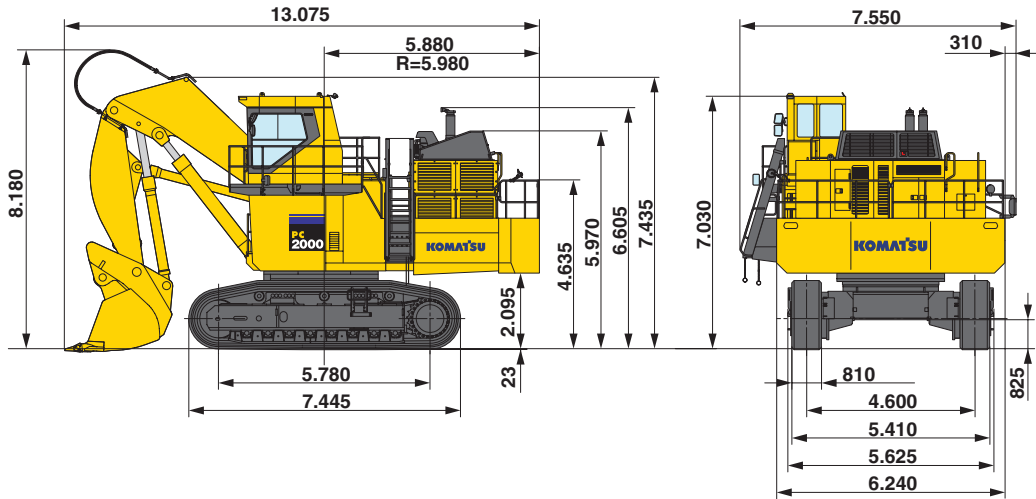
Max. capacity and weight have been calculated according to EN474-5:2006+A1:2009. Please consult with your distributor for the correct selection of buckets and attachments to suit the application.

SPECIFICATIONS

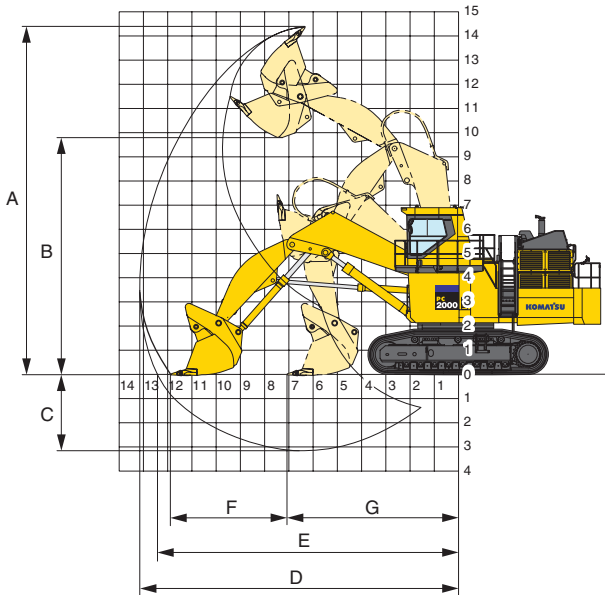


LOADING SHOVEL DIMENSIONS

Unit: mm



LOADING SHOVEL WORKING RANGE



Type of bucket	Bottom dump
Capacity, heaped	11,0 m ³
A Max. cutting height	14.450 mm
B Max. dumping height	9.665 mm
C Max. digging depth	3.190 mm
D Max. digging reach	13.170 mm
E Max. digging reach at ground level	11.940 mm
F Level crowding distance	4.850 mm
G Min. crowd distance	7.090 mm
Bucket digging force	721 kN (73,5 tonnes)
Arm crowd force	755 kN (77,0 tonnes)

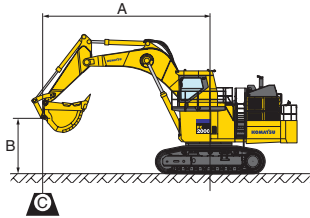


LOADING SHOVEL BUCKET

Type of bucket	Bottom dump
Capacity, heaped (ISO 7451)	11,0 m ³
Width (with side shrouds)	3.220 mm
Weight	14.400 kg
Max. material density	1,8 tonnes/m ³



LIFTING CAPACITY



PC2000-8

Equipment:

- Boom: 8,7 m
- Arm: 3,9 m
- Bucket: 12,0 m³
- Bucket weight: 9.700 kg
- Track shoe width: 810 mm

A: Reach from swing center

B: Bucket hook height

C: Lifting capacity

Cf: Rating over front

Cs: Rating over side

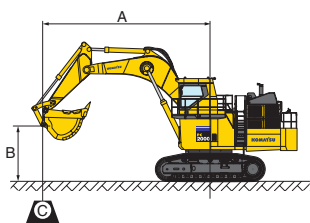
⊗: Rating at maximum reach

Heavy Lift Off

Unit: kg

B \ A	⊗ Maximum		10,7 m		9,1 m		7,6 m		6,1 m		4,6 m		3,0 m	
	Cf	Cs	Cf	Cs	Cf	Cs	Cf	Cs	Cf	Cs	Cf	Cs	Cf	Cs
7,6 m	*21.050	*21.050	*31.450	*31.450										
6,1 m	*21.950	*21.950	*33.350	*33.350	*38.650	*38.650	*46.700	*46.700						
4,6 m	*23.400	*23.400	*35.400	*35.400	*42.000	*42.000	*52.200	*52.200						
3,0 m	*25.500	24.100	*37.150	36.050	*44.850	*44.850	*56.550	*56.550						
1,5 m	*28.450	24.150	*38.300	34.650	*46.650	44.900	*59.050	*59.050	*61.150	*61.150				
0,0 m	*29.800	25.050	*38.500	33.600	*47.150	43.450	*59.400	58.650	*68.850	*68.850				
-1,5 m	*30.250	27.000	*37.200	33.100	*45.950	42.750	*57.550	*57.550	*73.500	*73.500	*48.800	*48.800	*33.650	*33.650
-3,0 m	*30.350	*30.350	*33.700	33.200	*42.650	*42.650	*53.300	*53.300	*67.000	*67.000	*68.250	*68.250	*50.150	*50.150
-4,6 m	*29.750	*29.750			*36.050	*36.050	*45.850	*45.850	*57.200	*57.200	*70.850	*70.850	*69.500	*69.500
-6,1 m	*27.000	*27.000					*33.150	*33.150	*42.200	*42.200	*50.800	*50.800		

* Load is limited by hydraulic capacity rather than tipping. Ratings are based on SAE standard No. J/ISO10567. Rated loads do not exceed 87% of hydraulic lift capacity or 75% of tipping load.



PC2000-8

Equipment:

- Boom: 8,7 m
- Arm: 3,9 m
- Bucket: 12,0 m³
- Bucket weight: 9.700 kg
- Track shoe width: 810 mm

A: Reach from swing center

B: Bucket hook height

C: Lifting capacity

Cf: Rating over front

Cs: Rating over side

⊗: Rating at maximum reach

Heavy Lift On

Unit: kg

B \ A	⊗ Maximum		10,7 m		9,1 m		7,6 m		6,1 m		4,6 m		3,0 m	
	Cf	Cs	Cf	Cs	Cf	Cs	Cf	Cs	Cf	Cs	Cf	Cs	Cf	Cs
7,6 m	*23.900	*23.900	*36.150	*36.150										
6,1 m	*24.850	*24.850	*38.350	*38.350	*44.150	*44.150	*52.950	*52.950						
4,6 m	*26.450	24.800	*40.700	37.700	*48.000	*48.000	*59.350	*59.350						
3,0 m	*28.700	24.100	*42.800	36.050	*51.300	47.050	*64.450	63.650						
1,5 m	*31.950	24.150	*44.150	34.650	*53.500	44.900	*67.350	60.500	*62.850	*62.850				
0,0 m	*34.100	25.050	*44.400	33.600	*54.150	43.450	*67.900	58.650	*62.450	*62.450				
-1,5 m	*35.300	27.000	*43.100	33.100	*52.900	42.750	*65.950	57.850	*62.950	*62.950	*54.150	*54.150	*37.650	*37.650
-3,0 m	*35.550	30.600	*39.250	33.200	*49.300	42.700	*61.300	57.500	*64.650	*64.650	*61.500	*61.500	*55.650	*55.650
-4,6 m	*34.950	*34.950			*42.000	*42.000	*53.100	*53.100	*66.000	*66.000	*62.200	*62.200	*62.000	*62.000
-6,1 m	*32.150	*32.150					*39.150	*39.150	*49.500	*49.500	*59.650	*59.650		

TRANSPORTATION



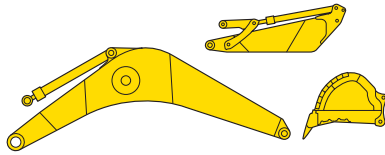
TRANSPORTATION GUIDE

Specifications shown include the following equipment:

Backhoe: boom 8.700 mm, arm 3.900 mm, bucket 12,0 m³, shoes 810 mm double grouser

Loading Shovel: boom 5.950 mm, arm 4.450 mm, bucket 11,0 m³, shoes 810 mm double grouser

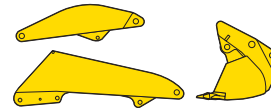
Work equipment assembly - Backhoe



	Length	Width	Height	Weight
Boom	9.170 mm	2.065 mm	3.195 mm	20,9 tonnes
Arm	5.495 mm	1.605 mm	2.055 mm	12,9 tonnes
Bucket	3.540 mm	2.790 mm	2.320 mm	9,7 tonnes

	Length	Weight	Quantity
Boom cylinder	4.265 mm	2,4 tonnes	2

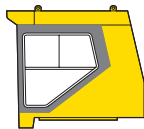
Work equipment assembly - Loading Shovel



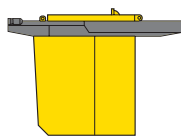
	Length	Width	Height	Weight
Boom	6.400 mm	1.740 mm	2.000 mm	11,8 tonnes
Arm	4.900 mm	1.450 mm	1.700 mm	9,5 tonnes
Bucket	3.500 mm	3.190 mm	2.920 mm	14,4 tonnes

	Length	Weight	Quantity
Boom cylinder	4.265 mm	1,90 tonnes	2
Arm cylinder	3.370 mm	1,05 tonnes	2
Bucket cylinder	3.350 mm	1,10 tonnes	2

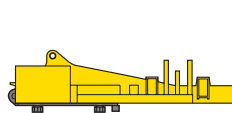
Cab



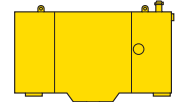
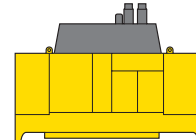
Cab base



Revolving frame



Power module

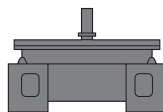


Length	2.885 mm	3.660 mm	7.575 mm	5.215 mm	3.100 mm
Width	1.880 mm	630 mm	3.180 mm	2.455 mm	875 mm
Height	2.520 mm	2.505 mm	2.640 mm	3.195 mm	2.070 mm
Weight	1,8 tonnes	2,0 tonnes	26,5 tonnes	16,1 tonnes	2,4 tonnes

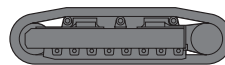
Counterweight



Center frame



Undercarriage



Hydraulic tank



Length	6.420 mm	3.815 mm	7.435 mm	1.860 mm
Width	1.115 mm	3.190 mm	1.720 mm	1.115 mm
Height	1.505 mm	2.210 mm	1.920 mm	2.125 mm
Weight	24,5 tonnes	18,0 tonnes	26,0 x 2 tonnes	3,5 tonnes

Others: Catwalk, step, handrail, small removed parts, etc.

SERVICEABILITY AND CUSTOMER SUPPORT

The Komatsu dealer network guarantees you the lowest operating costs

When you purchase Komatsu equipment, you gain access to a broad range of programmes and services that have been designed to help you get the most from your investment. These all support substantial productivity, long and useful equipment lifetime, low operating costs, and a high trade-in or resale value.

- Many of the vital components in the PC2000-8 have been installed and proven totally reliable in other heavy-duty Komatsu earthmoving equipment.
- Komatsu's extensive parts warehouses and logistics system across Europe and around the globe ensure unparalleled parts availability.
- Continuous training programmes for Komatsu service personnel guarantee that your equipment is serviced properly and maintained in top running condition.
- The Komatsu Oil Wear Analysis (KOWA) programme offers sophisticated oil analysis to identify problems to be followed up during preventative, scheduled maintenance.
- KFWP (Komatsu's Flexible Warranty Programme) is available, providing a range of extended warranty options on the machine and its components. These can be chosen, based on individual needs and activities. This programme is designed to help reduce total operating costs.
- A Komatsu Repair & Maintenance Contract is a way to establish a fixed operating cost and ensure optimal machine availability for the duration of the contract.



HYDRAULIC EXCAVATOR

STANDARD EQUIPMENT

Engine and related items:

- Komatsu SAA12V140E-3 engine
- Air cleaner, double element dry (Inside mounted)
- Two cooling fans with fan guard (Hydraulic drive, for radiator and oil cooler)
- Fuel pre-filters with water separators
- Corrosion resistors

Electrical system:

- Alternators, 2 x 90 A/24 V
- Batteries, 140 Ah, 4 x 12 V
- Starting motors, 2 x 11 kW
- Working lights, 4 boom, 4 cab base, 3 fuel tank top front, 1 left front and 1 left under cab side catwalk
- Auto decelerator and auto idling system
- Radio
- Lighting switches instrument panel

Undercarriage:

- 810 mm double grouser shoes
- 8 track rollers / 3 carrier rollers (each side)
- Hydraulic idler cushion (HIC) with shock absorbing accumulator

- Track guiding guard (Separate type)

Guards and covers:

- Dustproof net for radiator and oil cooler
- Pump/engine room partition cover
- Power module under cover
- Travel motor guard

Operators cab:

- Large damper mounted and pressurized mining shovel cab with large tinted windshield, lockable door, large twin wipers and washers, floor mats, cigarette lighter, ashtray and cup holders
- Instrument panel with electronic display/monitor system (7"-TFT-LCD), electrically-controlled throttle dial, electric service meter, gauges (coolant temperature, hydraulic oil temp., fuel level, PTO oil temp., engine oil temp.), truck counters, eco-gauge
- Built-in top guard conforming to OPG level 2 (ISO)
- Automatic air conditioners (twin)
- Seat, fully adjustable air suspension with retractable seat belt

- Trainer's seat
- Sun shield
- Fire extinguisher

Hydraulic system:

- E-OLSS (Electric Open Center Load Sensing System)
- 4 variable displacement piston pumps (2 tandem pumps) for work equipment, travel and swing, 2 variable displacement piston pumps (1 tandem pump) for fan drive
- Two axial piston motors for swing with single stage relief valve
- One axial piston motor per track for travel with counterbalance valve
- Four control valves (two integrated valves) for work equipment, swing and travel
- Control levers for work equipment and swing with PPC system
- Control levers and pedals for travel with PPC system
- Oil cooler
- High-pressure in-line oil filters
- Drain-filters for pumps & motors
- Shockless boom control
- Two-mode pressure setting for

boom

Drive system:

- Planetary travel gear with axial piston motor
- Travel parking brake

Others:

- Fully-automatic greasing system with 200 ltr
- Manual grease gun for track adjuster
- Slide ladder
- Fuel tank, 3,400 liter
- Automatic swing holding brake
- Emergency engine stop switch and fuel shut-off lever
- Maintenance light for night
- Step light with timer
- Light in machine cab
- Travel alarm
- Wide catwalk and large handrail
- Interconnected horn and flashing light
- Dual rearview mirrors
- KOMTRAX™ Plus (Vehicle Health Monitoring System)
- PM tune-up service connection

OPTIONAL EQUIPMENT

- Additional 6 fuses and terminals
- 3.900 mm backhoe arm assembly
- 4.450 mm loading shovel arm assembly
- 8.700 mm backhoe boom assembly
- 5.950 mm loading shovel assembly
- HID lamp system

- Rearview monitoring system
- Cab front full guard
- 1.010 mm triple grouser shoes
- Track frame undercover
- Grease refill system (Wiggins)
- Fuel quick charge system (Wiggins)
- Satellite communication system for KOMTRAX™ Plus (Orbcomm)

- Heavy-duty rock bucket
- 55 °C spec.
- Additional filter system for poor-quality fuel
- Additional pre-cleaner for engine air filter (Enginaire)

- Full length track guiding guards



Komatsu Europe International NV
 Mechelsesteenweg 586
 B-1800 VILVOORDE (BELGIUM)
 Tel. +32-2-255 24 11
 Fax +32-2-252 19 81
 www.komatsueurope.com