

KOMATSU

D71EX-24 **D71PX-24**

EU Stage V Engine

CRAWLER DOZER

PRELIMINARY

D71



ENGINE POWER

179 kW / 240 HP @ 2.100 rpm

OPERATING WEIGHT

D71EX-24: 22.600 kg
D71PX-24: 23.100 kg
D71PX-24 Wide: 23.900 kg

BLADE CAPACITY

D71EX-24: 4,42 m³
D71PX-24: 4,65 m³
D71PX-24 Wide: 5,02 m³

The all new hydrostatic drive crawler dozer in the 22-ton class.

D71EX/PX-24



OUTSTANDING PRODUCTIVITY & WORKABILITY

Powerful and Environmentally Friendly

- Low consumption EU Stage V engine
- Highly efficient hydrostatic drive line (HST)
- Hydrostatic cooling fan with cleaning mode
- Adjustable auto idle shutdown
- Auto-decelerator
- Auto E-Mode

Optimised Work Equipment

- INPAT blade with adjustable pitch
- Increased work equipment speed
- Multishank parallelogram ripper

First-Class Operator Comfort

- Unique super-slant nose design
- Quiet and comfortable cab
- Fully adjustable air-suspended seat
- Integrated rear-view camera

State-of-the-Art Controls

- Extremely maneuverable hydrostatic drive
- Variable speed selection or conventional quick shift
- Palm Command Control System (PCCS)
- Large multifunctional monitor with troubleshooting function

Tough and Reliable

- Low-drive "PLUS" undercarriage
- Sturdy, rugged design
- Self-adjusting idler support
- Rear-mount radiator with swing-up hydraulic fan
- LED lighting standard

KOMTRAX

- Komatsu Wireless Monitoring System
- 4G mobile communications
- Integrated communication antenna
- Increased operational data and fuel savings



A maintenance program
for Komatsu customers

Engine

Model	Komatsu SAA6D114E-6
Type	Common rail direct injection, water-cooled, emissionised, turbocharged, after-cooled diesel
Engine power	
at rated engine speed	2.100 rpm
ISO 14396	179 kW / 240 HP
ISO 9249 (net engine power)	177 kW / 237 HP
No. of cylinders	6
Bore × stroke	114 mm × 144,5 mm
Displacement	8,85 l

Environment

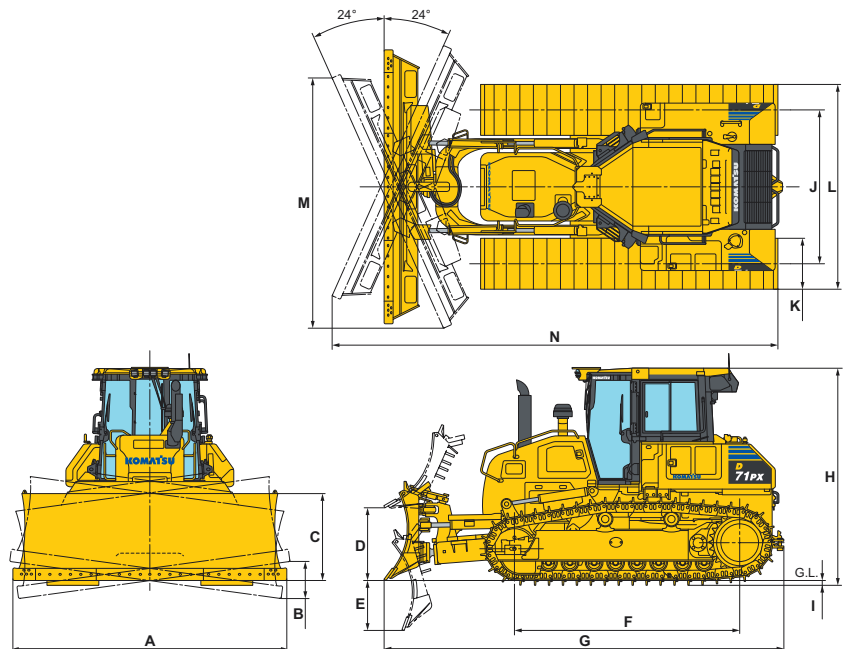
Engine emissions	Fully complies with EU Stage V exhaust emission regulations
------------------	---

UNDERCARRIAGE

Tracks	PLUS link assembly
Number of shoes (each side)	45
Track rollers (each side)	8
Carrier rollers (each side)	2
Shoe width (standard)	
D71EX-24	610 mm
D71PX-24	760 mm
D71PX-24 Wide	915 mm
Ground contact area (ISO 16754)	
D71EX-24	39.960 cm ²
D71PX-24	49.780 cm ²
D71PX-24 Wide	59.930 cm ²
Ground pressure (ISO 16754)	
D71EX-24	0,57 kg/cm ²
D71PX-24	0,46 kg/cm ²
D71PX-24 Wide	0,40 kg/cm ²

	D71EX-24	D71PX-24	D71PX-24 Wide
A	3.870 mm	4.010 mm	4.295 mm
B	500 mm	515 mm	555 mm
C	1.265 mm	1.265 mm	1.265 mm
D	1.090 mm	1.090 mm	1.090 mm
E	705 mm	705 mm	705 mm
F	3.275 mm	3.275 mm	3.275 mm
G	5.810 mm	5.810 mm	5.810 mm
H	3.170 mm	3.170 mm	3.170 mm
I	65 mm	65 mm	65 mm
J	2.230 mm	2.230 mm	2.385 mm
K	610 mm	760 mm	915 mm
L	2.840 mm	2.990 mm	3.300 mm
M	3.575 mm	3.705 mm	3.970 mm
N	6.515 mm	6.540 mm	6.600 mm

Ground clearance: 410 mm
(+ grouser height)



DOZER EQUIPMENT

	Overall length with dozer	Blade width × height	Maximum lift above ground	Maximum drop below ground	Maximum tilt adjustment
4,42 m ³ INPAT blade (EX)	5.810 mm	3.870 mm × 1.265 mm	1.090 mm	705 mm	500 mm
4,65 m ³ INPAT blade (PX)	5.810 mm	4.010 mm × 1.265 mm	1.090 mm	705 mm	515 mm
5,02 m ³ INPAT blade (PX) wide	5.810 mm	4.295 mm × 1.265 mm	1.090 mm	705 mm	555 mm

Blade capacities are based on the SAE recommended practice J1265.